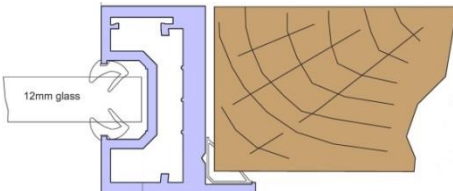
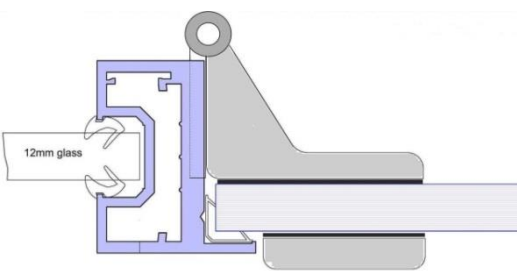


## BAL Standard Door Frame Profiles & Sizes

<b>SINGLE GLAZED DOOR FRAME KIT - CA657 Timber Door</b>		Any frame size can be made, please contact us.	
SINGLE GLAZED <span style="color: blue;">●</span>	DOOR FRAME KIT	TIMBER DOOR	DOOR FRAME KITS FOR SINGLE GLAZED APPLICATION
		<p>Use with 40 - 44mm Thick Timber Door.</p> <p>Kit includes mitred and cut hinge post, lock post and door head.</p> <p>Kit includes 2, 3,4 or 8 hinges, strike plate and closing strip.</p> <p>Shoulder brackets and bottom fixing kit also supplied.</p> <p>Top fixing kit supplied with full height doors.</p> <p>Door frame section used is CA657.</p>	

Door Leaves	Door Leaf Dimensions mm		Door Type	Handing	Number of Hinges	Finish
	Height	Width				
Single	1981	838	Timber	Left or Right	2	Mill
Single	1981	838	Timber	Left or Right	2	RAL 9010 or 9006
Single	2040	926	Timber	Left or Right	3	Mill
Single	2040	926	Timber	Left or Right	3	RAL 9010 or 9006
Single	2041 - 2400	926	Timber	Left or Right	3	Mill
Single	2041 - 2400	926	Timber	Left or Right	3	RAL 9010 or 9006
Single	2401 - 2700	926	Timber	Left or Right	4	Mill
Single	2401 - 2700	926	Timber	Left or Right	4	RAL 9010 or 9006
Twin	2401 - 2700	926 - 1852	Timber	Reversible	8	Mill
Twin	2401 - 2700	926 - 1852	Timber	Reversible	8	RAL 9010 or 9006

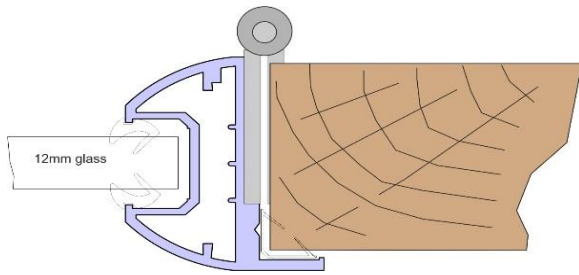
<b>SINGLE GLAZED DOOR FRAME KIT - CA657 Glass Door</b>		Any frame size can be made, please contact us.	
SINGLE GLAZED <span style="color: blue;">●</span>	DOOR FRAME KIT	GLASS DOOR	DOOR FRAME KITS FOR SINGLE GLAZED APPLICATION
		<p>Use with 10mm or 12mm thick Glass Door.</p> <p>Kit includes mitred and cut hinge post, lock post and door head.</p> <p>Kit includes 2, 3,4 or 8 hinges, strike plate and closing strip.</p> <p>Shoulder brackets and bottom fixing kit also supplied.</p> <p>Top fixing kit supplied with full height doors.</p> <p>Door frame section used is CA657.</p>	

Door Leaves	Door Leaf Dimensions mm		Door Type	Handing	Number of Hinges	Finish
	Height	Width				
Single	1981	838	Glass	Left or Right	2	Mill
Single	1981	838	Glass	Left or Right	2	RAL 9010 or 9006
Single	2040	926	Glass	Left or Right	3	Mill
Single	2040	926	Glass	Left or Right	3	RAL 9010 or 9006
Single	2041 - 2400	926	Glass	Left or Right	3	Mill
Single	2041 - 2400	926	Glass	Left or Right	3	RAL 9010 or 9006
Single	2401 - 2700	926	Glass	Left or Right	4	Mill
Single	2401 - 2700	926	Glass	Left or Right	4	RAL 9010 or 9006
Twin	2401 - 2700	926 - 1852	Glass	Reversible	8	Mill
Twin	2401 - 2700	926 - 1852	Glass	Reversible	8	RAL 9010 or 9006

**SINGLE GLAZED DOOR FRAME KIT - CA658 Timber Door**

Any frame size can be made, please contact us.

SINGLE GLAZED	DOOR FRAME KIT	TIMBER DOORS	DOOR FRAME KITS FOR SINGLE GLAZED APPLICATION
---------------	----------------	--------------	---



Use with 40 - 44mm thick timber door.

Kit includes mitred and cut hinge post, lock post and door head.

Kit includes 2, 3, 4 or 8 hinges, strike plate and closing strip.

Shoulder brackets and bottom fixing brackets also included.

Top fixing kit supplied with full height doors.

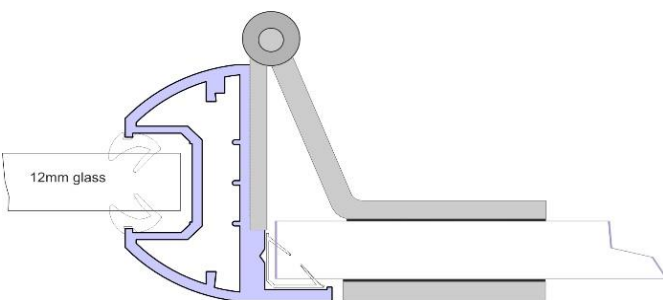
Door Frame section used is CA658

Door Leaves	Door Leaf Dimensions mm		Door Type	Handing	Number of Hinges	Finish
	Height	Width				
Single	1981	838	Timber	Left or Right	2	Mill
Single	1981	838	Timber	Left or Right	2	RAL 9010 or 9006
Single	2040	926	Timber	Left or Right	3	Mill
Single	2040	926	Timber	Left or Right	3	RAL 9010 or 9006
Single	2041 - 2400	926	Timber	Left or Right	3	Mill
Single	2041 - 2400	926	Timber	Left or Right	3	RAL 9010 or 9006
Single	2401 - 2700	926	Timber	Left or Right	4	Mill
Single	2401 - 2700	926	Timber	Left or Right	4	RAL 9010 or 9006
Twin	2401 - 2700	926 - 1852	Timber	Reversible	8	Mill
Twin	2401 - 2700	926 - 1852	Timber	Reversible	8	RAL 9010 or 9006

**SINGLE GLAZED DOOR FRAME KIT - CA658 Glass Door**

Any frame size can be made, please contact us.

SINGLE GLAZED	DOOR FRAME KIT	GLASS DOORS	DOOR FRAME KITS FOR SINGLE GLAZED APPLICATION
---------------	----------------	-------------	---



Use with 10mm or 12mm thick glass door.

Kit includes mitred and cut hinge post, lock post and door head.

Kit includes 2, 3, 4 or 8 hinges, strike plate and closing strip.

Shoulder brackets and bottom fixing brackets also included.


Top fixing kit supplied with full height doors.

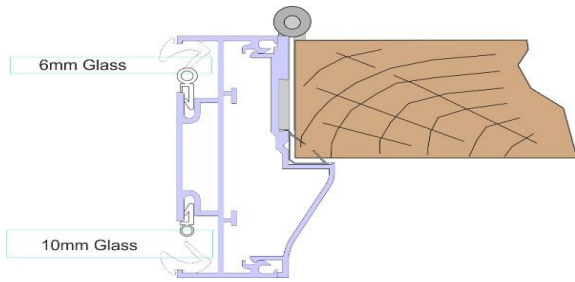
Door Frame section used is CA658

Door Leaves	Door Leaf Dimensions mm		Door Type	Handing	Number of Hinges	Finish
	Height	Width				
Single	1981	838	Glass	Left or Right	2	Mill
Single	1981	838	Glass	Left or Right	2	RAL 9010 or 9006
Single	2040	926	Glass	Left or Right	3	Mill
Single	2040	926	Glass	Left or Right	3	RAL 9010 or 9006
Single	2041 - 2400	926	Glass	Left or Right	3	Mill
Single	2041 - 2400	926	Glass	Left or Right	3	RAL 9010 or 9006
Single	2401 - 2700	926	Glass	Left or Right	4	Mill
Single	2401 - 2700	926	Glass	Left or Right	4	RAL 9010 or 9006
Twin	2401 - 2700	926 - 1852	Glass	Reversible	8	Mill
Twin	2401 - 2700	926 - 1852	Glass	Reversible	8	RAL 9010 or 9006

**DOUBLE GLAZED DOOR STOP KIT - FA532 Timber Door**

Any frame size can be made, please contact us.

DOUBLE GLAZED 	DOOR STOP KIT	TIMBER DOOR	DOOR STOP KITS FOR DOUBLE GLAZED APPLICATION
---	---------------	-------------	--



Use with 40 - 44mm thick timber door

Kit includes mitred and cut hinge post, lock post and door head.

Kit includes 2, 3, 4 or 8 hinges, strike plate and closing strip.


Door Stop section used is FA532

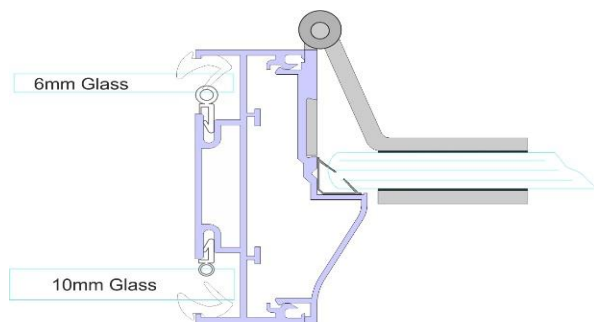
Use with CGD120 Main Post, and all Finesse sections.

Door Leaves	Door Leaf Dimensions mm		Door Type	Handing	Number of Hinges	Finish
	Height	Width				
Single	1981	838	Timber	Left or Right	2	Mill
Single	1981	838	Timber	Left or Right	2	RAL 9010 or 9006
Single	2040	926	Timber	Left or Right	3	Mill
Single	2040	926	Timber	Left or Right	3	RAL 9010 or 9006
Single	2041 - 2400	926	Timber	Left or Right	3	Mill
Single	2041 - 2400	926	Timber	Left or Right	3	RAL 9010 or 9006
Single	2401 - 2700	926	Timber	Left or Right	4	Mill
Single	2401 - 2700	926	Timber	Left or Right	4	RAL 9010 or 9006
Twin	2401 - 2700	926 - 1852	Timber	Reversible	8	Mill
Twin	2401 - 2700	926 - 1852	Timber	Reversible	8	RAL 9010 or 9006

**DOUBLE GLAZED DOOR STOP KIT - FA532 Glass Door**

Any frame size can be made, please contact us

DOUBLE GLAZED 	DOOR STOP KIT	GLASS DOOR	DOOR STOP KITS FOR DOUBLE GLAZED APPLICATION
---	---------------	------------	--



Use with 10mm or 12mm glass door

Kit includes mitred and cut hinge post, lock post and door head.

Kit includes 2, 3, 4 or 8 hinges, strike plate and closing strip.

Door stop section used is FA532

Use with CGD120 main post, and all Finesse sections.

Door Leaves	Door Leaf Dimensions mm		Door Type	Handing	Number of Hinges	Finish
	Height	Width				
Single	1981	838	Glass	Left or Right	2	Mill
Single	1981	838	Glass	Left or Right	2	RAL 9010 or 9006
Single	2040	926	Glass	Left or Right	3	Mill
Single	2040	926	Glass	Left or Right	3	RAL 9010 or 9006
Single	2041 - 2400	926	Glass	Left or Right	3	Mill
Single	2041 - 2400	926	Glass	Left or Right	3	RAL 9010 or 9006
Single	2401 - 2700	926	Glass	Left or Right	4	Mill
Single	2401 - 2700	926	Glass	Left or Right	4	RAL 9010 or 9006
Twin	2401 - 2700	926 - 1852	Glass	Reversible	8	Mill
Twin	2401 - 2700	926 - 1852	Glass	Reversible	8	RAL 9010 or 9006

**DOUBLE GLAZED DOOR FRAME KIT - CGD121 Timber Door**

Any frame size can be made, please contact us.

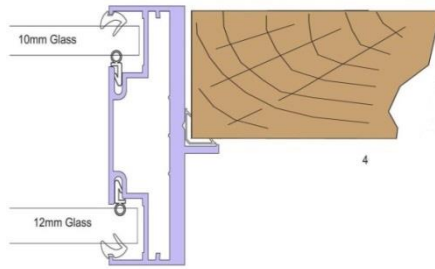
DOUBLE GLAZED



DOOR FRAME KIT

**TIMBER DOOR**

DOOR FRAME KITS FOR DOUBLE GLAZED APPLICATION



Use with 40 - 44mm timber doors.

Kit includes mitred and cut hinge post, lock post and door head.

Kit includes 2, 3, 4 or 8 hinges, strike plate and closing strip.

Shoulder brackets and bottom fixing kit also supplied.

Top fixing kit supplied with full height doors.

Door frame section used is CGD121.

Door Leaves	Door Leaf Dimensions mm		Door Type	Handing	Number of Hinges	Finish
	Height	Width				
Single	1981	838	Timber	Left or Right	2	Mill
Single	1981	838	Timber	Left or Right	2	RAL 9010 or 9006
Single	2040	926	Timber	Left or Right	3	Mill
Single	2040	926	Timber	Left or Right	3	RAL 9010 or 9006
Single	2041 - 2400	926	Timber	Left or Right	3	Mill
Single	2041 - 2400	926	Timber	Left or Right	3	RAL 9010 or 9006
Single	2401 - 2700	926	Timber	Left or Right	4	Mill
Single	2401 - 2700	926	Timber	Left or Right	4	RAL 9010 or 9006
Twin	2401 - 2700	926 - 1852	Timber	Reversible	8	Mill
Twin	2401 - 2700	926 - 1852	Timber	Reversible	8	RAL 9010 or 9006

**DOUBLE GLAZED DOOR FRAME KIT - CGD121 Glass Door**

Any frame size can be made, please contact us.

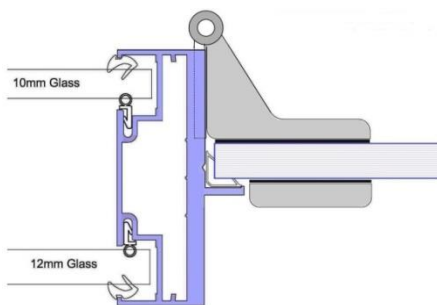
DOUBLE GLAZED



DOOR FRAME KIT

**GLASS DOOR**

DOOR FRAME KITS FOR DOUBLE GLAZED APPLICATION



Use with 10mm or 12mm glass door

Kit includes mitred and cut hinge post, lock post and door head.

Kit includes 2, 3, 4 or 8 hinges, strike plate and closing strip.

Shoulder brackets and bottom fixing kit also supplied.

Top fixing kit supplied with full height doors.

Door frame section used is CGD121.

Door Leaves	Door Leaf Dimensions mm		Door Type	Handing	Number of Hinges	Finish
	Height	Width				
Single	1981	838	Glass	Left or Right	2	Mill
Single	1981	838	Glass	Left or Right	2	RAL 9010 or 9006
Single	2040	926	Glass	Left or Right	3	Mill
Single	2040	926	Glass	Left or Right	3	RAL 9010 or 9006
Single	2041 - 2400	926	Glass	Left or Right	3	Mill
Single	2041 - 2400	926	Glass	Left or Right	3	RAL 9010 or 9006
Single	2401 - 2700	926	Glass	Left or Right	4	Mill
Single	2401 - 2700	926	Glass	Left or Right	4	RAL 9010 or 9006
Twin	2401 - 2700	926 - 1852	Glass	Reversible	8	Mill
Twin	2401 - 2700	926 - 1852	Glass	Reversible	8	RAL 9010 or 9006